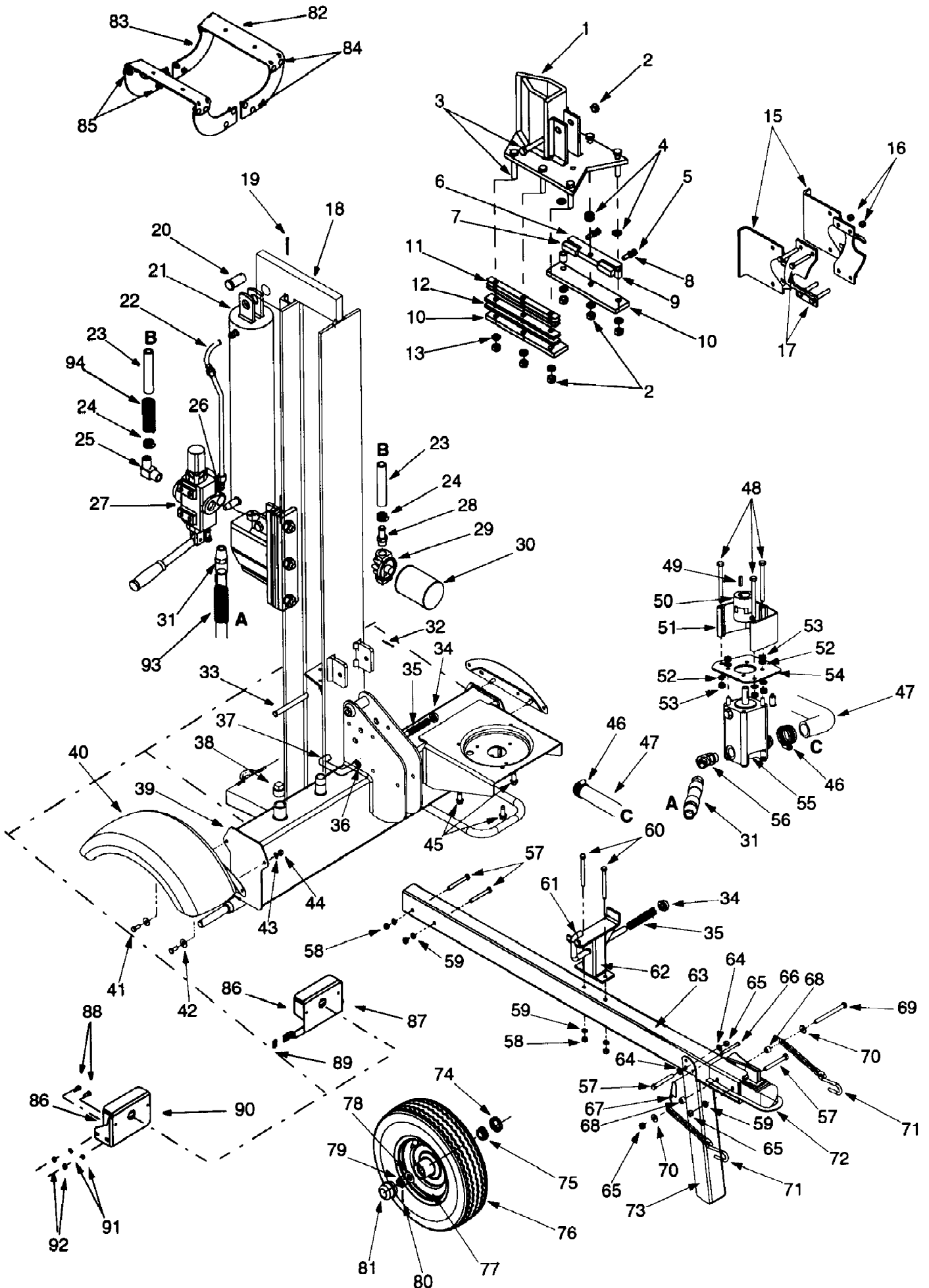


24AA570H190 27 Ton Log Splitter (2000)
General Assembly



24AA570H190 27 Ton Log Splitter (2000)
General Assembly

Page 2 of 3

Ref #	Part Number	Qty	S/P/F	Description
1	781-0323B	1	S	Wedge Asm
2	712-0239	1	S	Lock Nut 1/2-20
3	710-1018	1	/P	Hex Cap Screw 1/2-20 x 2.75
4	736-0192	1	S	Flat Washer .531 x .93 x .090
5	710-0459A	1	/P	Hex Cap Screw 3/8-24 x 1.5
6	781-0356	1		Floating Gib Plate
7	781-0351	1	/P	Adjustable Gib
8	712-3001	1	S	Hex Jam Nut 3/8-24
9	750-0750	1	S	Spacer
10	781-0537	1		Back Bracket
11	781-0352A	1	S	Adjustable Gib Shim
12	781-0350A	1	/P	Fixed Gib
13	736-0921	1	S	Lock Washer 1/2
?14	712-0239	1	S	Lock Nut 1/2-20
15	781-0168A	1	/P	Stripper Side
16	712-0130	1	/P	Lock Nut 3/8-16
17	710-0859	1	/P	Hex Cap Screw 3/8-16 x 2.5
18	681-0126	1		Beam Asm
19	714-0211	1		Cotter Pin
20	711-1135	1		Clevis Pin
21	718-0306	1	S	Hydraulic Cylinder
22	727-0471	1		Hydraulic Tube
23	727-0443	1		Return Hose 3/4" ID x 44" Lg
24	726-0132	1	/P	Hose Clamp 5/8"
25	737-0153	1		Return Elbow
26	737-0192	1	/P	90 Degree Solid Male Adapter
27	718-0481	1	S	Control Valve
28	737-0235	1		3/4" Hose Adapter
29	737-0306	1	S	Filter Housing
30	723-0405	1	/P	Oil Filter
31	727-0502	1		High Pressure Hydraulic Hose
32	714-0470	1	S	Cotter Pin 1/8" Dia
33	738-0805	1		Hinge Pin 1/2 x 4.8" Lg.
34	726-0214	1	/P	Push Cap
35	732-0583	1		Comp. Spring 4" Lg.
36	736-0116	1	S	Flat Washer .635 ID x .93 OD
37	781-0690	1		Locking Rod
38	737-0236	1	S	Pipe Plug
39	681-0092A	1		Frame Asm
40	681-0138	1		Fender Asm
41	710-0157	1	/P	Hex Cap Screw 5/16-24 x .75
42	736-0159	1	S	5/16 Washer
43	736-0119	1	S	Lock Washer 5/16
44	712-0123	1	/P	Hex Nut 5/16-24
45	710-0654A	1	/P	Hex Washer Screw 3/8-16 x 1.0
46	726-0174	1		Hose Clamp
47	735-0256	1		Suction Hose
48	710-1338	1	/P	Hex Screw 5/16-24 x 3.25
49	714-0122	1	S	Sq. Key 3/16" x .75
50	718-0686	1	S	Flexible Coupling
51	719-0353	1		Coupling Shield
52	736-0119	1	S	L-Washer 5/16" ID
53	712-0123	1	/P	Hex Nut 5/16-24

24AA570H190 27 Ton Log Splitter (2000)
General Assembly

Page 3 of 3

Ref #	Part Number	Qty	S/P/F	Description
54	781-0097	1	S	Rear Coupling Support Bracket
55	718-0683	1	S	Gear Pump (11gpm)
56	737-0329	1		45 Degree Elbow
57	710-0521	1	/P	Hex Bolt 3/8-16 x 3" Lg.
58	712-0798	1	/P	Hex Nut 3/8-16
59	736-0169	1	S	L-Washer 3/8" ID
60	710-0411	1	/P	Hex Bolt 3/8-16 x 4" Lg.
61	781-0690	1		Locking Rod
62	681-0110	1	S	Support Beam Asm
63	781-0680A	1	/P	Tube
64	736-0185	1	S	Flat Washer 3/8
65	712-0375	1	/P	Hex Lock Nut 3/8-16
66	711-0813	1	S	Clevis Pin 5/16 x 2.5"
67	732-0194	1		Spring Pin
68	750-0497	1		Spacer 3/8" ID x .625" OD
69	710-0944	1	/P	Hex Bolt 3/8-16 x 4" Lg.
70	736-0262	1	/P	Flat Washer 3/8" ID x .87" OD
71	713-0433	1	S	Chain - Tow Hitch
72	727-0311	1		Hitch Coupler
73	781-0162	1		Jack Stand
74	721-0168	1	S	Bearing Seal Only
75	741-0987	1	S	Bearing Cone
76	634-0186	1	/P	Wheel Assembly
77	634-0188	1	/P	Rim Assembly (Oyster Gray)
78	736-0351	1	S	Flat Washer .76" ID x 1.5" OD
79	712-0359	1	/P	Slotted Nut 3/4-16
80	714-0162	1	/P	Cotter Pin 5/32" x 1-1/4" Lg.
81	734-0873	1		Hub Cap
82	781-0682	1	S	Log Cradle
83	781-0686	1	S	Log Cradle Bracket
84	710-3097	1		Carriage Bolt, 3/8-16 x1.0
85	712-0431	1	S	Flanged Lock Nut, 3/8-16
86	625-0009	1		Taillight Assembly
87	681-0074	1	S	Light Bracket Assembly - LH
88	710-0157	1	/P	Hex Cap Screw, 5/16-24 x .75
89	712-0292	1	/P	Speed Clip
90	781-0624	1	S	Light Bracket - RH
91	736-0119	1	S	Lock Washer, 5/16
92	712-0123	1	/P	Hex Nut, 5/16-24
93	781-0538	1	S	Hose Guard
94	781-0526	1		Hose Guard